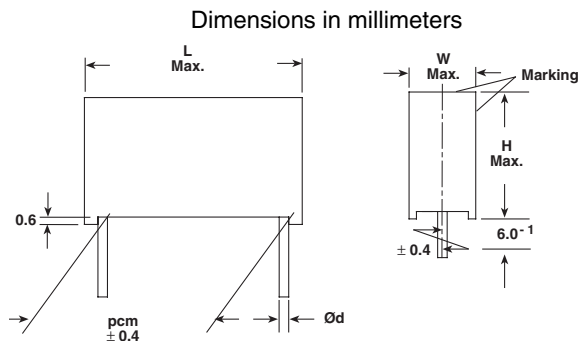


Polypropylene Film Capacitors

Related Document: IEC 60384-17 Grade 1.2



W	Ø d
≥ 16	1.0
< 16.0	0.8

MAIN APPLICATIONS

High voltage, very high current and high pulse operations, deflection circuits in TV sets (fly-back tuning). Electronic ballasts, protection circuits in SMPS's. Snubber and SCR commutating circuits.

MARKING

Manufacturer's logo/type/C-value/rated voltage/tolerance/data of manufacture

DIELECTRIC

Polypropylene film

ELECTRODES

Aluminum foil

COATING

Flame retardant plastic case (UL-class 94 V-0), blue, epoxy resin sealed. Flame class B according to IEC 60065 available on request

CONSTRUCTION

Extended aluminum foil, internal series connection, double-sided metallized, polyester carrier film (refer to general information)

INSULATION RESISTANCE

Measured at 500 VDC after one minute
100,000 MΩ minimum value, (1000 GΩ typical value)

MAXIMUM PULSE RISE TIME

PCM (mm)	Maximum Pulse Rise Time d_v/d_t [V/μs]				
	630 VDC	1000 VDC	1250 VDC	1600 VDC	2000 VDC
15	6500	8200	11,100	13,900	13,900
22.5	2600	3200	4600	6000	9800
27.5	1800	2300	3100	4000	6000
37.5	1200	1500	1900	2400	3500

If the maximum pulse voltage is less than the rated voltage higher d_v/d_t values can be permitted.

DISSIPATION FACTOR $\tan \delta$

MEASURED AT	C ≤ 0.1μF	C > 1.0μF
1kHz	0.3 x 10 ⁻³	0.3 x 10 ⁻³
10kHz	0.4 x 10 ⁻³	0.4 x 10 ⁻³
100kHz	1 x 10 ⁻³	—
Maximum values		

FEATURES

Product is completely lead (Pb)-free
Product is RoHS-compliant

LEADS

Tinned wire

IEC TEST CLASSIFICATION

55/100/56 according to IEC 60068

OPERATING TEMPERATURE RANGE

- 55°C to + 100°C

CAPACITANCE RANGE

100pF to 0.22μF

CAPACITANCE TOLERANCES

± 10% (K), ± 5% (J)

RATED VOLTAGES (U_R):

630 VDC, 1000 VDC, 1250 VDC, 1600 VDC, 2000 VDC

PERMISSIBLE AC VOLTAGES (RMS) UP TO 60Hz

300 VAC, 350 VAC, 400 VAC, 500 VAC, 600 VAC

TEST VOLTAGE (ELECTRODE/ELECTRODE)

2 x U_R for 2 s

TEMPERATURE COEFFICIENT

- 250 x 10⁻⁶/°C (typical value)

CAPACITANCE DRIFT

Up to + 40°C, ± 0.5% for a period of two years

DERATING FOR DC AND AC CATEGORY VOLTAGE U_C

At + 85°C: U_C = 1.0 U_R

At + 100°C: U_C = 0.7 U_R

SELF INDUCTANCE

~ 6 nH measured with 2mm long leads

PULL TEST ON LEADS

≥ 30 N in direction of leads according to IEC 60068-2-21

RELIABILITY

Operational life > 300,000 h

Failure rate < 1 FIT (0.5 x U_R and 40°C)

For further details, please refer to the general information available at www.vishay.com/doc?26033.



RoHS
COMPLIANT



CAPACITANCE	CAPACITANCE CODE	VOLTAGE CODE 63 630 VDC/300 VAC				VOLTAGE CODE 10 1000 VDC/350 VAC				VOLTAGE CODE 12 1250 VDC/400 VAC			
		W	H	L	PCM	W	H	L	PCM	W	H	L	PCM
100pF	- 110	—	—	—	—	—	—	—	—	—	—	—	—
150pF	- 115	—	—	—	—	—	—	—	—	—	—	—	—
220pF	- 122	—	—	—	—	—	—	—	—	—	—	—	—
330pF	- 133	—	—	—	—	—	—	—	—	—	—	—	—
470pF	- 147	—	—	—	—	—	—	—	—	—	—	—	—
680pF	- 168	—	—	—	—	—	—	—	—	—	—	—	—
1000pF	- 210	—	—	—	—	—	—	—	—	—	—	—	—
1200pF	- 212	—	—	—	—	—	—	—	—	5.5	10.5	18.0	15
1500pF	- 215	—	—	—	—	—	—	—	—	5.5	10.5	18.0	15
1800pF	- 218	—	—	—	—	5.5	10.5	18.0	15	6.5	12.5	18.0	15
2200pF	- 222	—	—	—	—	5.5	10.5	18.0	15	6.5	12.5	18.0	15
2700pF	- 227	5.5	10.5	18.0	15	6.5	12.5	18.0	15	7.5	13.5	18.0	15
3300pF	- 233	5.5	10.5	18.0	15	6.5	12.5	18.0	15	7.5	13.5	18.0	15
3900pF	- 239	6.5	12.5	18.0	15	7.5	13.5	18.0	15	6.5	14.5	26.5	22.5
4700pF	- 247	6.5	12.5	18.0	15	7.5	13.5	18.0	15	6.5	14.5	26.5	22.5
5600pF	- 256	7.5	13.5	18.0	15	8.5	14.5	18.0	15	6.5	14.5	26.5	22.5
6800pF	- 268	7.5	13.5	18.0	15	8.5	14.5	18.0	15	6.5	14.5	26.5	22.5
8200pF	- 282	8.5	14.5	18.0	15	6.5	14.5	26.5	22.5	57.5	15.5	26.5	22.5
0.01µF	- 310	8.5	14.5	18.0	15	6.5	14.5	26.5	22.5	7.5	15.5	26.5	22.5
0.012µF	- 312	8.5	17.5	18.0	15	7.5	15.5	26.5	22.5	10.5	18.5	26.5	22.5
0.015µF	- 315	10.5	17.5	18.0	15	7.5	15.5	26.5	22.5	10.5	18.5	26.5	22.5
0.018µF	- 318	7.5	15.5	26.5	22.5	8.5	16.5	26.5	22.5	11.0	21.0	26.5	22.5
0.022µF	- 322	7.5	15.5	26.5	22.5	8.5	16.5	26.5	22.5	11.0	21.0	26.5	22.5
0.027µF	- 327	8.5	16.5	26.5	22.5	10.5	18.5	26.5	22.5	11.5	20.5	31.5	27.5
0.033µF	- 333	10.5	18.5	26.5	22.5	11.5	20.5	31.5	27.5	11.5	20.5	31.5	27.5
0.039µF	- 339	10.5	18.5	26.5	22.5	11.5	20.5	31.5	27.5	13.5	23.5	31.5	27.5
0.047µF	- 347	10.5	18.5	26.5	22.5	11.5	20.5	31.5	27.5	13.5	23.5	31.5	27.5
0.056µF	- 356	11.5	20.5	31.5	27.5	12.5	22.5	41.5	37.5	12.5	23.5	41.5	37.5
0.068µF	- 368	11.5	20.5	31.5	27.5	12.5	22.5	41.5	37.5	12.5	22.5	41.5	37.5
0.082µF	- 382	11.5	20.5	31.5	27.5	12.5	22.5	41.5	37.5	14.5	24.5	41.5	37.5
0.1µF	- 410	13.5	23.5	31.5	27.5	14.5	24.5	41.5	37.5	14.5	24.5	41.5	37.5
0.12µF	- 412	12.5	22.5	41.5	37.5	14.5	24.5	41.5	37.5	16.0	28.5	41.5	37.5
0.15µF	- 415	12.5	22.5	41.5	37.5	16.0	28.5	41.5	37.5	16.0	28.5	41.5	37.5
0.18µF	- 418	14.5	24.5	41.5	37.5	16.0	28.5	41.5	37.5	20.0	40.0	42.5	37.5
0.22µF	- 422	14.5	24.5	41.5	37.5	18.0	32.5	41.5	37.5	20.0	40.0	42.5	37.5

Further C-values upon request.

RECOMMENDED PACKAGING

LETTER CODE	TYPE OF PACKAGING	HEIGHT (H) (mm)	REEL DIAMETER (mm)	ORDERING CODE EXAMPLES	PCM 15	PCM 22.5 - 27.5	PCM 37.5
D	AMMO	16.5	S*	KP 1836-168/205-D	X	—	—
G	AMMO	18.5	S*	KP 1836-168/205-G	X	—	—
F	REEL	16.5	350	KP 1836-168/205-F	X	—	—
W	REEL	18.5	350	KP 1836-168/205-W	X	—	—
V	REEL	18.5	500	KP 1836-310/134-V	X	X	—
G	AMMO	18.5	L*	KP 1836-310/134-G	—	X	—
—	BULK	—	—	KP 1836-310/134	X	X	X

*S = box size 55 x 210 x 340mm (W x H x L)

*L = box size 60 x 360 x 510mm (W x H x L)



CAPACITANCE	CAPACITANCE CODE	VOLTAGE CODE 13 1600 VDC/500 VAC				VOLTAGE CODE 20 2000 VDC/600 VAC			
		W	H	L	PCM	W	H	L	PCM
100pF	- 110	—	—	—	—	5.5	10.5	18.0	15
150pF	- 115	—	—	—	—	5.5	10.5	18.0	15
220pF	- 122	—	—	—	—	5.5	10.5	18.0	15
330pF	- 133	—	—	—	—	5.5	10.5	18.0	15
470pF	- 147	—	—	—	—	5.5	10.5	18.0	15
680pF	- 168	5.5	10.5	18.0	15	5.5	10.5	18.0	15
1000pF	- 210	5.5	10.5	18.0	15	6.5	14.5	26.5	22.5
1200pF	- 212	6.5	12.5	18.0	15	6.5	14.5	26.5	22.5
1500pF	- 215	6.5	12.5	18.0	15	6.5	14.5	26.5	22.5
1800pF	- 218	6.5	14.5	26.5	22.5	6.5	14.5	26.5	22.5
2200pF	- 222	6.5	14.5	26.5	22.5	6.5	14.5	26.5	22.5
2700pF	- 227	6.5	14.5	26.5	22.5	7.5	15.5	26.5	22.5
3300pF	- 233	6.5	14.5	26.5	22.5	7.5	15.5	26.5	22.5
3900pF	- 239	7.5	15.5	26.5	22.5	10.5	18.5	26.5	22.5
4700pF	- 247	7.5	15.5	26.5	22.5	10.5	18.5	26.5	22.5
5600pF	- 256	8.5	16.5	26.5	22.5	10.5	18.5	26.5	22.5
6800pF	- 268	8.5	16.5	26.5	22.5	11.5	20.5	31.5	27.5
8200pF	- 282	10.5	18.5	26.5	22.5	11.5	20.5	31.5	27.5
0.01μF	- 310	10.5	18.5	26.5	22.5	11.5	20.5	31.5	27.5
0.012μF	- 312	11.5	20.5	31.5	27.5	13.5	23.5	31.5	27.5
0.015μF	- 315	11.5	20.5	31.5	27.5	13.5	23.5	31.5	27.5
0.018pF	- 318	11.5	20.5	31.5	27.5	15.0	24.5	31.5	27.5
0.022μF	- 322	11.5	20.5	31.5	27.5	15.0	24.5	31.5	27.5
0.027pF	- 327	13.5	23.5	31.5	27.5	14.5	24.5	41.5	37.5
0.033μF	- 333	13.5	23.5	31.5	27.5	14.5	24.5	41.5	37.5
0.039pF	- 339	12.5	22.5	41.5	37.5	16.0	28.5	41.5	37.5
0.047μF	- 347	12.5	22.5	41.5	37.5	16.0	28.5	41.5	37.5
0.056μF	- 356	14.5	24.5	41.5	37.5	—	—	—	—
0.068μF	- 368	14.5	24.5	41.5	37.5	—	—	—	—
0.082μF	- 382	16.0	28.5	41.5	37.5	—	—	—	—
0.1μF	- 410	16.0	28.5	41.5	37.5	—	—	—	—
0.12μF	- 412	—	—	—	—	—	—	—	—
0.15μF	- 415	—	—	—	—	—	—	—	—
0.18μF	- 418	—	—	—	—	—	—	—	—
0.22μF	- 422	—	—	—	—	—	—	—	—

Further C-values upon request.

RECOMMENDED PACKAGING

LETTER CODE	TYPE OF PACKAGING	HEIGHT (H) (mm)	REEL DIAMETER (mm)	ORDERING CODE EXAMPLES	PCM 15	PCM 22.5 - 27.5	PCM 37.5
D	AMMO	16.5	S*	KP 1836-168/205-D	X	—	—
G	AMMO	18.5	S*	KP 1836-168/205-G	X	—	—
F	REEL	16.5	350	KP 1836-168/205-F	X	—	—
W	REEL	18.5	350	KP 1836-168/205-W	X	—	—
V	REEL	18.5	500	KP 1836-310/134-V	X	X	—
G	AMMO	18.5	L*	KP 1836-310/134-G	—	X	—
—	BULK	—	—	KP 1836-310/134	X	X	X

*S = box size 55 x 210 x 340mm (W x H x L)

*L = box size 60 x 360 x 510mm (W x H x L)

