

# LARGE ALUMINUM ELECTROLYTIC CAPACITORS

**AM** For Hi-Fi Component System Series



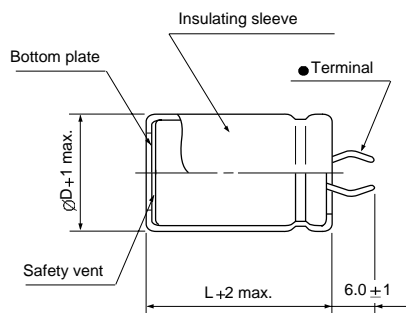
For Audio Use



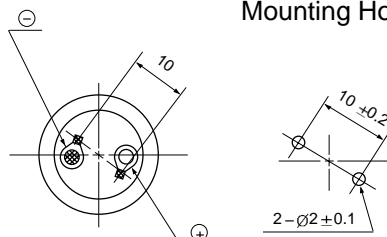
- For high grade audio equipment
- High resonance frequency, low ESR and low impedance
- Ideally suited for Hi-Fi VTR and CD players
- Snap-in terminal type
- Voltage range of 16~100V

Item	Characteristics				
Operating temperature range	-40 ~ +85°C				
Capacitance tolerance	±20% at 120Hz, 20°C				
Leakage current max.	$I = 3\sqrt{CV}$ (µA) (after 5 minutes)				
Dissipation factor max. (at 120Hz, 20°C)	WV	16	25-35	50-63	80-100
	tan δ	0.25	0.22	0.20	0.15
Charge and discharge characteristics	After charge and discharge for 5000 cycles at 70°C with application of the rated voltage, the capacitors shall be satisfied the following specifications.				
	Appearance	No visible damage and no leakage electrolyte			
	Leakage current	Less than specified value			
	Capacitance change	Within ±15% of initial value			
	tan δ	Less than 150% of specified value			
Conditions :					
Charge resistance : 4Ω		Applied current : 1A			
Discharge resistance : 100Ω		Charge and discharge time : 60sec. (each)			
Load life (after application of the rated voltage for 2000 hours at 85°C)	Leakage current	Less than specified value			
	Capacitance change	Within ±20% of initial value			
	tan δ	Less than 200% of specified value			
Shelf life (at 85°C)	After 1000 hours no load test, leakage current, capacitance and tan δ are same as load life value.				

## ● DRAWING

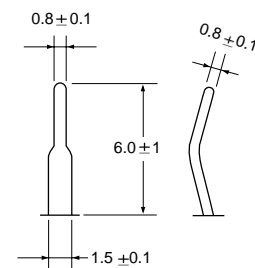


## PC Board Mounting Holes



## ● Terminal

Unit : mm



## ● DIMENSIONS

øD x L (mm)

µF \ WV	16	25	35	50	63	80	100
470							22 x 40
680						22 x 40	25.4 x 40
1000					22 x 40	25.4 x 40	25.4 x 50
1500				22 x 40	25.4 x 40	25.4 x 50	30 x 50
2200			22 x 40	25.4 x 40	25.4 x 50	30 x 50	35 x 50
3300		22 x 40	25.4 x 40	25.4 x 50	30 x 50	30 x 60	35 x 60
4700		25.4 x 40	25.4 x 50	30 x 50	30 x 60	35 x 60	
6800	22 x 40	25.4 x 50	30 x 50	30 x 60	35 x 60		
8200	25.4 x 40	30 x 50	35 x 50	35 x 60	35 x 60		
10000	25.4 x 50	35 x 50	35 x 60	35 x 60			
12000	30 x 50	35 x 50	35 x 60				
15000	35 x 50	35 x 60					
22000	35 x 60						
33000	35 x 60						

\* Lug terminal type : Applicable to case sizes larger than ø25. Screw terminal type : Applicable to case sizes larger than ø35.