



Premium Grade Type, For Audio Equipment



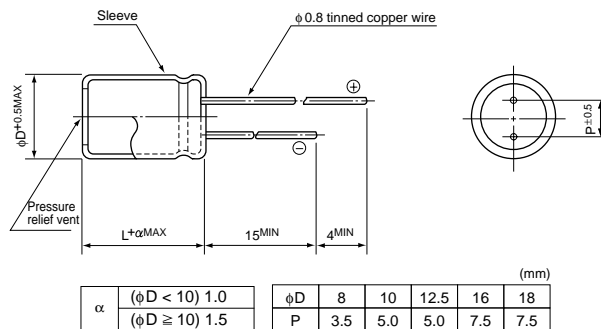
- Premium grade “nichicon MUSE” acoustic series.
- Ideally suited for first class audio equipment where qualitative and quantitative comfortableness is required.



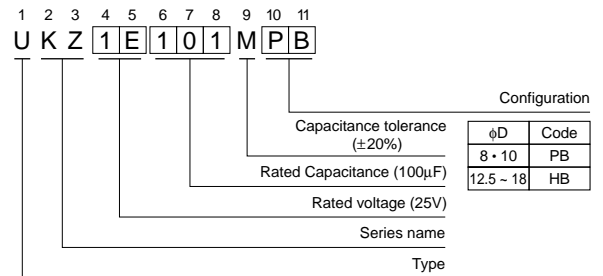
Specifications

Item	Performance Characteristics														
Category Temperature Range	-40 ~ +85°C														
Rated Voltage Range	25 ~ 100V														
Rated Capacitance Range	10 ~ 1000μF														
Capacitance Tolerance	±20% at 120Hz, 20°C														
Leakage Current	After 1 minute's application of rated voltage, leakage current is 0.01CV or less.														
tan δ	Measurement frequency : 120Hz, Temperature : 20°C														
	<table border="1"> <tr> <td>Rated voltage (V)</td> <td>25</td> <td>50</td> <td>100</td> </tr> <tr> <td>tan δ (MAX.)</td> <td>0.12</td> <td>0.08</td> <td>0.07</td> </tr> </table>	Rated voltage (V)	25	50	100	tan δ (MAX.)	0.12	0.08	0.07						
Rated voltage (V)	25	50	100												
tan δ (MAX.)	0.12	0.08	0.07												
Stability at Low Temperature	Measurement frequency : 120Hz														
	<table border="1"> <tr> <td colspan="2">Rated voltage (V)</td> <td>25</td> <td>50</td> <td>100</td> </tr> <tr> <td>Impedance ratio</td> <td>Z-25°C / Z+20°C</td> <td>2</td> <td>2</td> <td>2</td> </tr> <tr> <td>ZT / Z20 (MAX.)</td> <td>Z-40°C / Z+20°C</td> <td>4</td> <td>3</td> <td>3</td> </tr> </table>	Rated voltage (V)		25	50	100	Impedance ratio	Z-25°C / Z+20°C	2	2	2	ZT / Z20 (MAX.)	Z-40°C / Z+20°C	4	3
Rated voltage (V)		25	50	100											
Impedance ratio	Z-25°C / Z+20°C	2	2	2											
ZT / Z20 (MAX.)	Z-40°C / Z+20°C	4	3	3											
Endurance	After 1000 hours' application of rated voltage at 85°C, capacitors meet the characteristic requirements listed at right.														
	Capacitance change	Within ±20% of initial value													
	tan δ	150% or less of initial specified value													
Shelf Life	After leaving capacitors under no load at 85°C for 1000 hours, they meet the specified value for endurance characteristics listed above.														
	Leakage Current	Initial specified value or less													
Marking	Printed with gold color letter on black sleeve.														

Radial Lead Type



Type numbering system (Example : 25V 100μF)



※ Please contact to us if Eco-Products are required.

Dimensions

Cap. (μF)	V			
	Code	25	50	100
10	100	1E	1H	2A
22	220		8 × 11.5	10 × 16
33	330	8 × 11.5	10 × 12.5	10 × 20
47	470	10 × 12.5	10 × 16	12.5 × 20
100	101	10 × 16	12.5 × 20	16 × 25
220	221	12.5 × 20	16 × 25	16 × 35.5
330	331	12.5 × 25	16 × 31.5	18 × 35.5
470	471	16 × 25	16 × 35.5	
1000	102	16 × 35.5	18 × 40	

Please refer to page 19, 20, 21 about the formed or taped product spec.
Please refer to page 3 for the minimum order quantity.