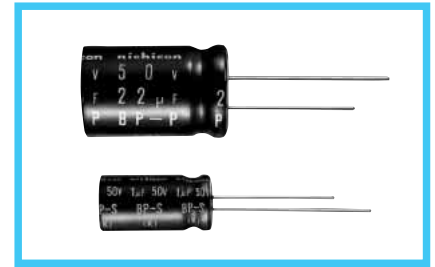


## DB.GB series Bi-Polarized, For Speaker Network



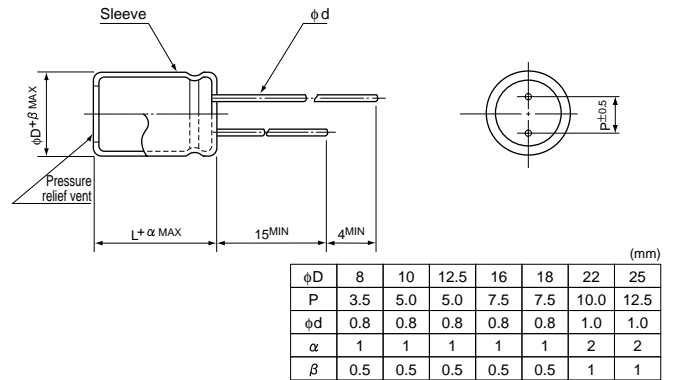
- Bi-polarized series.
- Designed specifically for crossover networks in Hi-Fi sound systems.



### Specifications

Performance Characteristics	DB series	GB series
Category Temperature Range	-40 ~ +85°C	-40 ~ +85°C
Rated Voltage Range	50V	50V
Rated Capacitance Tolerance	±20% at 1kHz	±10% at 1kHz
Leakage Current (After 5 minutes' application of rated voltage)	Leakage current is not more than 0.03CV or 3 (µA), whichever is greater.	
tan δ (MAX.) (1 kHz) (5 kHz)	0.10 or less 0.15 or less	0.05 or less 0.05 or less
Allowable Continuous Current (8Ω - fc)	Value in table or less	Value in table or less
Marking	Printed with white color letter on dark green sleeve.	

### Radial Lead Type

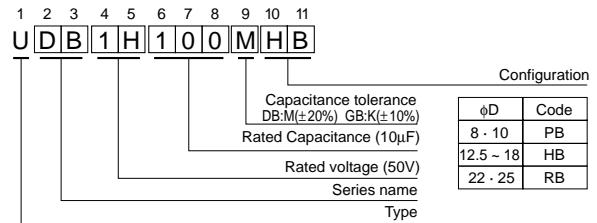


### Dimensions

$\phi D \times L$  (mm)

Cap. (µF)	Code	DB		GB		Rated ripple (mA rms)	
		1H (50V)	Frequency (Hz)	DB	GB		
1	010	8 × 11.5	10 × 20	20k	205	760	
1.5	1R5	8 × 11.5	12.5 × 20	13k	245	800	
2.2	2R2	10 × 12.5	12.5 × 20	9k	320	820	
3.3	3R3	10 × 16	16 × 25	6k	400	850	
4.7	4R7	10 × 20	16 × 25	4.2k	480	890	
6.8	6R8	12.5 × 20	16 × 31.5	2.9k	540	920	
10	100	12.5 × 25	18 × 35.5	2k	600	970	
15	150	12.5 × 25	22 × 40	1.3k	660	1040	
22	220	16 × 25	22 × 40	900	740	1060	
33	330	16 × 31.5	25 × 40	600	800	1120	
47	470	18 × 35.5	—	420	1020	—	
68	680	22 × 40	—	290	1200	—	

### Type numbering system (Example : DB series 50V 10µF)



※ Please contact to us if Eco-Products are required.