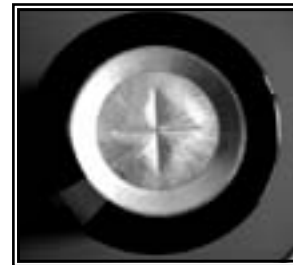
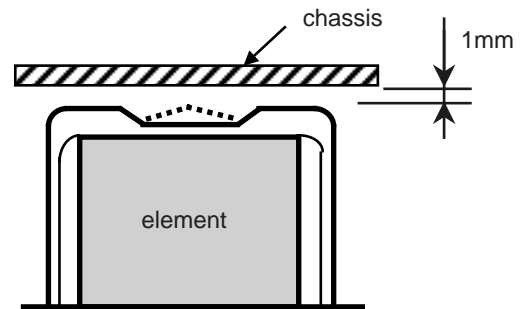


PS2, US2 Series

(PS2 type: Warranty of 2,000 hours at 85°C, US2 type: Warranty of 2,000 hours at 105°C)

Features

- The PS2 and US2 series are developed for the primary-side filter of the inverter or servo amplifier control circuit, and suitable for improvement of cost performance, being intended for a large-capacitance and higher ripple current.

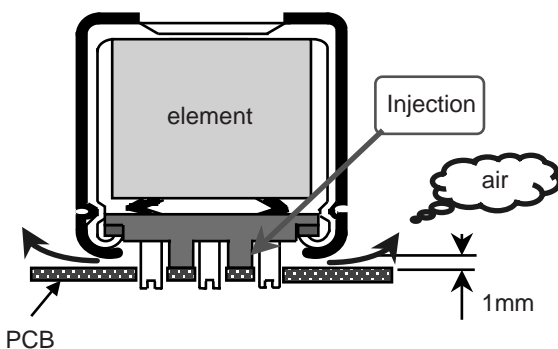


1) Higher ripple

- Higher ripple through improvement of heat radiation performance by new heat radiation construction
- Higher ripple through use of low-ESR material. Consequently, the permissible ripple current is improved by 27% in the windless status or 40% in the ventilated condition (0.5 m/s) as compared with conventional constructions (HP3, HU3 series).

2) Better installation method

- The blank (reinforcement) terminal is insulated through improvement of cap construction.
- Improvement in air exhaust (flow hole phenomenon) from the terminal insertion hole at solder fixing through improvement of cap construction.
- The operating space of the safety vent (arranged on the case bottom) is reduced from 5 mm (conventional necessary distance) into 1 mm through improvement of case construction. For these new case construction, pattern design can be move flexible.



SNAP MOUNT TYPE ALUMINUM ELECTROLYTIC CAPACITORS

Product Specifications

Items	Specifications
Temperature range	PS2 : -40°C ~ +85°C US2 : -40°C ~ +105°C
Capacitance tolerance	±20% (20°C, 120Hz)
Rated voltage	200 ~ 450V.DC
Leakage current	0.01CV (μA) or 5mA, whichever is smaller or less [C = nominal capacitance (μF), V = rated voltage (V)]
Dissipation factor	Less than the value specified in the standard products table. (20°C, 120Hz)
Permissible ripple current	As specified in the standard products table. PS2 : (85°C, 120Hz) US2 : (105°C, 120Hz)
High-temperature load	After the rated voltage with specified ripple current is applied at the maximum operating temperature for 2000 hours, the following values are satisfied. Capacitance tolerance: ±15% or less of the initial value Dissipation factor: 175% or less of the specified initial value Leakage current: Specified initial value or less
Others	JIS C 5101-4.

Ripple current correction coefficient

1). Temperature correction coefficient

Temperature (°C)	PS2 (85°C)	US2 (105°C)
40	1.89	2.50
60	1.51	2.00
85	1.00	1.63
105	—	1.00

2). Frequency correction coefficient

Frequency (Hz)	PS2, US2
50/60	0.70
120	1.00
300	1.10
1K	1.30
10K	1.40

3). Wind speed correction coefficient

Wind speed (m / s)	PS2, US2
0.5>	1.00
0.5	1.10

Table of standard ratings (PS2, 85°C/2000h)

Rated Voltage V. DC	Capacitance (μF)	Case size øDXL(mm)	tanδ 20°C, 120Hz	Ripple current (Arms) 85°C, 120Hz	Product name
200V(2D)	1800	41·45	0.15	5.78	PS22D182MSB
	2200	41·55	0.15	6.35	PS22D222MSB
	2700	46·51	0.15	6.58	PS22D272MSH
	3300	41·64	0.15	7.46	PS22D332MSB
		46·61	0.15	7.35	PS22D332MSH
		51·51	0.15	7.07	PS22D332MTC
	3900	46·70	0.15	7.98	PS22D392MSH
		51·61	0.15	7.76	PS22D392MTC
	4700	51·70	0.15	8.49	PS22D472MTC

Rated Voltage V. DC	Capacitance (μF)	Case size øDXL(mm)	tanδ 20°C, 120Hz	Ripple current (Arms) 85°C, 120Hz	Product name
250V(2E)	1200	41·45	0.15	4.72	PS22E122MSB
		41·55	0.15	5.75	PS22E182MSB
	1800	46·51	0.15	5.37	PS22E182MSH
		41·64	0.15	6.41	PS22E222MSB
	2200	46·61	0.15	6.00	PS22E222MSH
		51·51	0.15	6.40	PS22E272MTC
	2700	46·70	0.15	7.34	PS22E332MSH
		51·61	0.15	7.14	PS22E332MTC
	3300	51·70	0.15	7.73	PS22E392MTC

Rated Voltage V. DC	Capacitance (μF)	Case size øDXL(mm)	tanδ 20°C, 120Hz	Ripple current (Arms) 85°C, 120Hz	Product name
400V(2G)	560	41·45	0.15	4.22	PS22G561MSB
	680	41·55	0.15	4.62	PS22G681MSB
	820	46·51	0.15	5.13	PS22G821MSH
	1000	41·64	0.15	5.66	PS22G102MSB
		46·61	0.15	5.73	PS22G102MSH
		51·51	0.15	5.88	PS22G102MTC
	1200	46·70	0.15	6.26	PS22G122MSH
		51·61	0.15	6.51	PS22G122MTC
	1500	51·70	0.15	7.25	PS22G152MTC

Rated Voltage V. DC	Capacitance (μF)	Case size øDXL(mm)	tanδ 20°C, 120Hz	Ripple current (Arms) 85°C, 120Hz	Product name
420V(420V)	470	41·45	0.15	3.71	PS2420V471MSB
		41·55	0.15	4.44	PS2420V681MSB
	680	46·51	0.15	4.48	PS2420V681MSH
		41·64	0.15	4.92	PS2420V821MSB
	820	51·51	0.15	5.11	PS2420V821MTC
		46·61	0.15	5.49	PS2420V102MSH
	1000	46·70	0.15	6.01	PS2420V122MSH
		51·61	0.15	6.25	PS2420V122MTC
	1200	51·70	0.15	6.96	PS2420V152MTC

Rated Voltage V. DC	Capacitance (μF)	Case size øDXL(mm)	tanδ 20°C, 120Hz	Ripple current (Arms) 85°C, 120Hz	Product name
450V(2W)	390	41·45	0.15	3.38	PS22W391MSB
	560	41·55	0.15	4.03	PS22W561MSB
	680	46·51	0.15	4.48	PS22W681MSH
	820	41·64	0.15	4.92	PS22W821MSB
		46·61	0.15	4.98	PS22W821MSH
		51·51	0.15	5.11	PS22W821MTC
	1000	46·70	0.15	5.48	PS22W102MSH
		51·61	0.15	5.70	PS22W102MTC
	1200	51·70	0.15	6.22	PS22W122MTC

SNAP MOUNT TYPE ALUMINUM ELECTROLYTIC CAPACITORS

Outline of drawings and dimensions

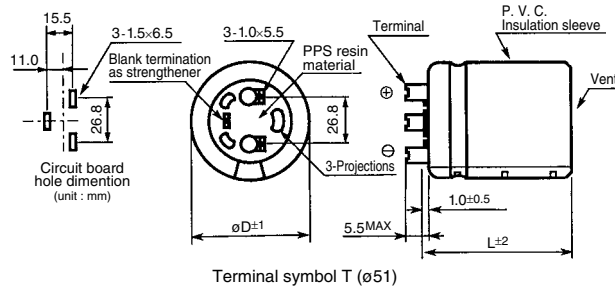
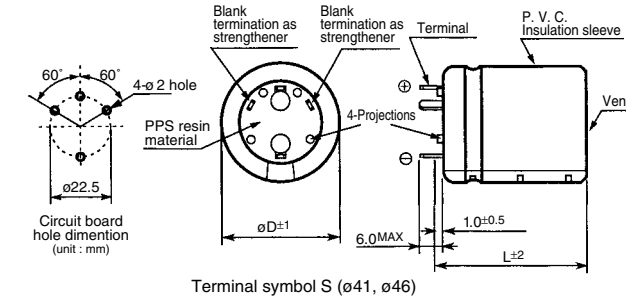


Table of standard ratings (US2, 105°C/2000h)

Rated Voltage V. DC	Capacitance (μF)	Case size øDXL(mm)	tanδ 20°C,120Hz	Ripple current (Arms) 105°C,120Hz	Product name
200V(2D)	1500	41·45	0.15	3.99	US22D152MSB
	2200	41·55	0.15	4.80	US22D222MSB
		46·51	0.15	4.49	US22D222MSH
	2700	41·64	0.15	5.37	US22D272MSB
		51·51	0.15	4.84	US22D272MTC
	3300	46·61	0.15	5.56	US22D332MSH
	3900	46·70	0.15	6.03	US22D392MSH
		51·61	0.15	5.87	US22D392MTC
4700	51·70	0.15	6.42	US22D472MTC	

Rated Voltage V. DC	Capacitance (μF)	Case size øDXL(mm)	tanδ 20°C,120Hz	Ripple current (Arms) 105°C,120Hz	Product name
250V(2E)	1000	41·45	0.15	3.26	US22E102MSB
	1500	41·55	0.15	3.96	US22E152MSB
		41·64	0.15	4.38	US22E182MSB
	1800	46·51	0.15	4.06	US22E182MSH
		51·51	0.15	3.95	US22E182MTC
	2200	46·61	0.15	4.54	US22E222MSH
	2700	46·70	0.15	5.02	US22E272MSH
		51·61	0.15	4.88	US22E272MTC
	3300	51·70	0.15	5.38	US22E332MTC

Rated Voltage V. DC	Capacitance (μF)	Case size øDXL(mm)	tanδ 20°C,120Hz	Ripple current (Arms) 105°C,120Hz	Product name
400V(2G)	470	41·45	0.15	2.92	US22G471MSB
	680	41·55	0.15	3.50	US22G681MSB
		46·51	0.15	3.53	US22G681MSH
	820	41·64	0.15	3.87	US22G821MSB
		51·51	0.15	4.03	US22G821MTC
	1000	46·61	0.15	4.33	US22G102MSH
	1200	46·70	0.15	4.73	US22G122MSH
		51·61	0.15	4.92	US22G122MTC
1500	51·70	0.15	5.48	US22G152MTC	

Rated Voltage V. DC	Capacitance (μF)	Case size øDXL(mm)	tanδ 20°C,120Hz	Ripple current (Arms) 105°C,120Hz	Product name
420V(420V)	390	41·45	0.15	2.56	US2420V391MSB
	560	41·55	0.15	3.04	US2420V561MSB
		46·51	0.15	3.39	US2420V681MSH
	820	41·64	0.15	3.72	US2420V821MSB
		46·61	0.15	3.76	US2420V821MSH
	1000	51·51	0.15	3.87	US2420V821MTC
		46·70	0.15	4.15	US2420V102MSH
	1200	51·61	0.15	4.31	US2420V102MTC
		51·70	0.15	4.71	US2420V122MTC

Rated Voltage V. DC	Capacitance (μF)	Case size øDXL(mm)	tanδ 20°C,120Hz	Ripple current (Arms) 105°C,120Hz	Product name
450V(2W)	330	41·45	0.15	2.35	US22W331MSB
	470	41·55	0.15	2.79	US22W471MSB
		41·64	0.15	3.07	US22W561MSB
	560	46·51	0.15	3.07	US22W561MSH
		46·61	0.15	3.43	US22W681MSH
	680	51·51	0.15	3.52	US22W681MTC
		46·70	0.15	3.75	US22W821MSH
	820	51·61	0.15	3.90	US22W821MTC
		1000	51·70	0.15	4.30