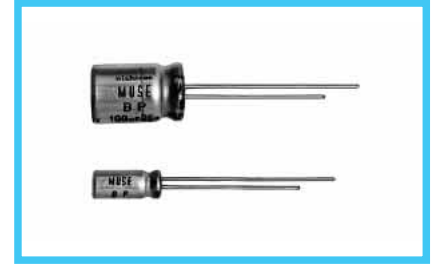
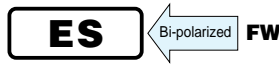


ALUMINUM ELECTROLYTIC CAPACITORS

nichicon MUSE ES series Bi-Polarized, For Audio Equipment



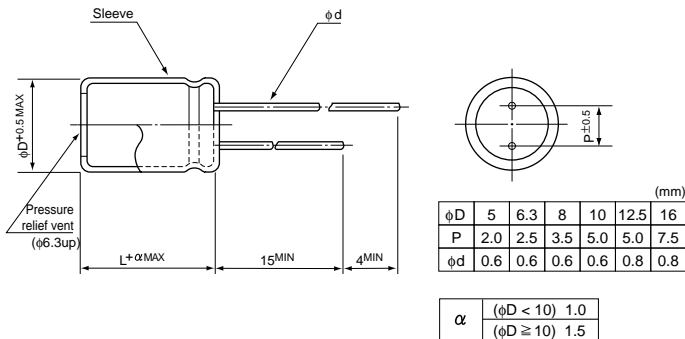
- Bi-polarized “nichicon MUSE” acoustic series.
- Suited for audio signal circuits.



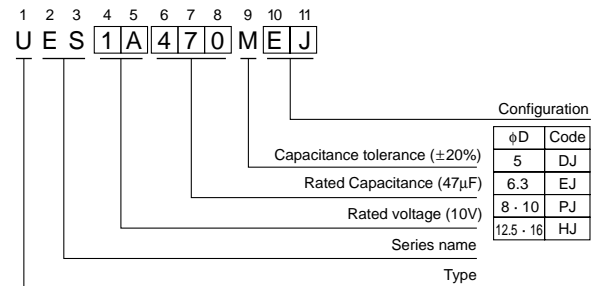
Specifications

| Item | Performance Characteristics | | | | | | | |
|------------------------------|---|---|------|------|------|------|------|----|
| Category Temperature Range | -40 ~ +85°C | | | | | | | |
| Rated Voltage Range | 6.3 ~ 50V | | | | | | | |
| Rated Capacitance Range | 0.47 ~ 1000μF | | | | | | | |
| Capacitance Tolerance | ±20% at 120Hz, 20°C | | | | | | | |
| Leakage Current | After 1 minute's application of rated voltage, leakage current is not more than 0.03CV or 3 (μA), whichever is greater. | | | | | | | |
| tan δ | Measurement frequency : 120Hz, Temperature : 20°C | | | | | | | |
| | Rated voltage (V) | 6.3 | 10 | 16 | 25 | 35 | 50 | |
| | tan δ (MAX.) | 0.24 | 0.20 | 0.16 | 0.16 | 0.14 | 0.12 | |
| Stability at Low Temperature | Measurement frequency : 120Hz | | | | | | | |
| | Rated voltage (V) | | 6.3 | 10 | 16 | 25 | 35 | 50 |
| | Impedance ratio ZT / Z20 (MAX.) | Z-25°C / Z+20°C | 4 | 3 | 2 | 2 | 2 | 2 |
| Z-40°C / Z+20°C | | 8 | 6 | 4 | 4 | 4 | 4 | |
| Endurance | After 1000 hours' application of rated voltage at 85°C with the polarity inverted every 250 hours, capacitors meet the characteristics requirement listed at right. | | | | | | | |
| | Capacitance change | Within ±20% of initial value | | | | | | |
| | tan δ | 150% or less of initial specified value | | | | | | |
| Shelf Life | After leaving capacitors under no load at 85°C for 1000 hours, they meet the specified value for endurance characteristics listed above. | | | | | | | |
| | Leakage current | Initial specified value or less | | | | | | |
| Marking | Printed with black color letter on clear green sleeve. | | | | | | | |

Radial Lead Type



Type numbering system (Example : 10V 47μF)



※ Please contact to us if Eco-Products are required.

Dimensions

| | | φD × L (mm) | | | | | |
|----------|------|-------------|-----------|-----------|-----------|-----------|-----------|
| Cap.(μF) | V | 6.3 | 10 | 16 | 25 | 35 | 50 |
| | Code | 0J | 1A | 1C | 1E | 1V | 1H |
| 0.47 | R47 | | | | | | 5 × 11 |
| 1 | 010 | | | | | | 5 × 11 |
| 2.2 | 2R2 | | | | | | 5 × 11 |
| 3.3 | 3R3 | | | | | | 5 × 11 |
| 4.7 | 4R7 | | | | 5 × 11 | 5 × 11 | 6.3 × 11 |
| 10 | 100 | | | 5 × 11 | 5 × 11 | 6.3 × 11 | 8 × 11.5 |
| 22 | 220 | | 5 × 11 | 6.3 × 11 | 6.3 × 11 | 8 × 11.5 | 10 × 12.5 |
| 33 | 330 | 5 × 11 | 6.3 × 11 | 6.3 × 11 | 8 × 11.5 | 10 × 12.5 | 10 × 16 |
| 47 | 470 | 6.3 × 11 | 6.3 × 11 | 8 × 11.5 | 10 × 12.5 | 10 × 12.5 | 10 × 20 |
| 100 | 101 | 8 × 11.5 | 10 × 12.5 | 10 × 12.5 | 10 × 16 | 10 × 20 | 12.5 × 25 |
| 220 | 221 | 10 × 12.5 | 10 × 16 | 10 × 20 | 12.5 × 25 | 12.5 × 25 | 16 × 25 |
| 330 | 331 | 10 × 16 | 10 × 20 | 12.5 × 20 | 12.5 × 25 | 16 × 25 | 16 × 31.5 |
| 470 | 471 | 10 × 20 | 12.5 × 20 | 12.5 × 25 | 16 × 25 | 16 × 25 | |
| 1000 | 102 | 12.5 × 25 | 16 × 25 | 16 × 25 | 16 × 31.5 | | |

Please refer to page 19, 20, 21 about the formed or taped product spec.
Please refer to page 3 for the minimum order quantity.

Please refer to page 3 for the minimum order quantity.